

4

3

DWG NO 5270A001

SHEET

REV

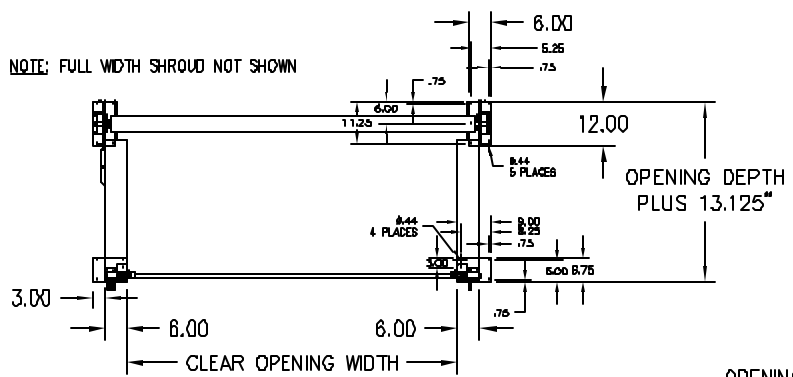
1

NEXT ASSEMBLY

REVISION HISTORY

REV	DESCRIPTION	EDN	DATE	BY	APPROVED

NOTE: FULL WIDTH SHROUD NOT SHOWN



STANDARD SPECIFICATIONS:

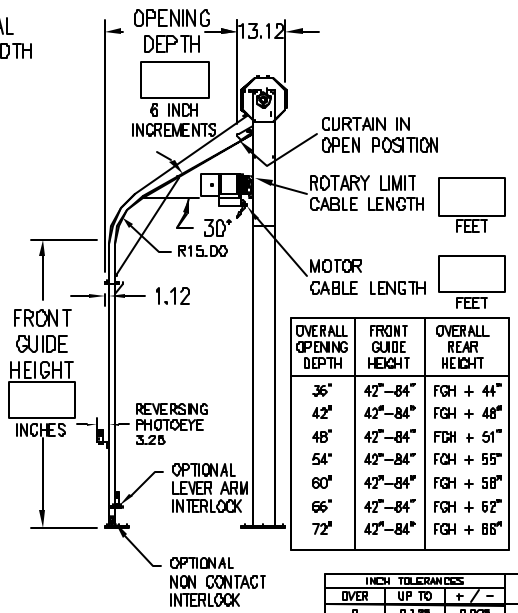
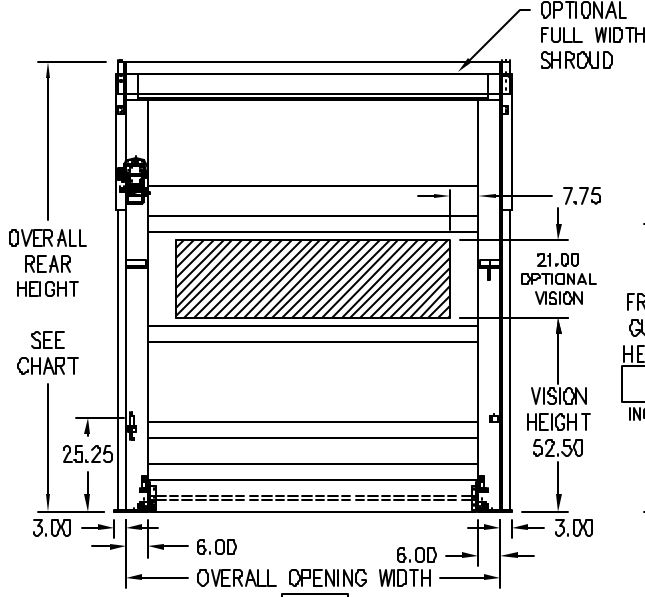
- ROLL TOP SIZE: WIDTH: 4'-0" THRU 12'-6"
- FRONT GUIDE HEIGHT: 3'-6" THRU 7'0"
- CURTAIN MATERIAL: STD. 50oz. ARMOR PLEAT, BLACK
- ROLLER TUBE: 4" DIA. STEEL TUBE
- CURTAIN GUIDES: 12 GA. STEEL
- BARRIER BARS: 3/4"OD X 1/8"W BOTTOM BAR
- 1"OD X 1/8"W BARRIER BARS
- MOTOR: 3 PHASE, 1HP MOTOR WITH BRAKE
- GEARBOX: 15.33:1 WORM
- BRAKE: 15 ft-lb SELF ADJUSTING ELECTROMECHANICAL
- AVERAGE SPEED: 30"/SEC
- WIRING: VARIABLE LENGTH MOTOR AND LIMIT CABLES

OPTIONAL:

- CONTROL BOX: SIZE 12" x 10" x 6"
- INCLUDES ON/OFF, OPEN, AND CLOSED BUTTONS
- AVAILABLE I/O FOR 'OPEN' & 'CLOSE' COMMANDS
- MOTOR STARTER: REVERSING CONTACTORS 24VDC, 120 VAC, OR 24VAC
- CURTAIN VISION: 80 MIL PVC; AMBER, CLEAR, OR SHADE 8
- CAT 2 INTERLOCK: LEVER ARM SAFETY SWITCH WITH 13 FOOT CABLE
- 2 N.C.+AUX N.O.
- CAT 4 INTERLOCK: NON CONTACT SAFETY SWITCH W/32 FOOT CABLE
- 3 SAFETY N.O. & 1 AUX. N.C.
- SAFETY RELAY PROVIDES REDUNDANT CIRCUIT WITH SELF MONITORING
- PARTIAL OPEN: 4 POSITION LIMIT SWITCH
- SELECTOR SWITCH TOGGLES FULL/PARTIAL OPEN
- SHROUD: FULL WIDTH

B

B



OVERALL OPENING DEPTH	FRONT GUIDE HEIGHT	OVERALL REAR HEIGHT
36"	42"-84"	FGH + 44"
42"	42"-84"	FGH + 48"
48"	42"-84"	FGH + 51"
54"	42"-84"	FGH + 55"
60"	42"-84"	FGH + 58"
66"	42"-84"	FGH + 62"
72"	42"-84"	FGH + 66"

ITEM	QTY	PART NO.	DESCRIPTION
PARTS LIST / MATERIAL			

A

A

INCH TOLERANCES			DO NOT SCALE DRAWING	
OVER	UP TO	+ / -	DRAWN BY	DATE
0	0.125	0.0008	MM-DD-YY	8/28/2000
0.125	0.25	0.0010	CHECKED BY	DATE
0.25	1.25	0.0020	APPROVED BY	DATE
1.25	5	0.0030	INITIAL ECN	4901
5	15	0.0040	DATE ISSUED	
15	40	0.0050	REF	
40	80	0.0060		
80	-	0.0075		
ANGLES	+/- 1 DEG			
FINISH				

RITE-HITE[®] DOORS INC.

TITLE
**ARCHITECTURAL APPROVAL
MODEL 1325 ROLL-TOP GUARDIAN**

SIZE	MODEL NUMBER	DWG NO	REV
B		5270A001	-
SCALE	PART #	SHEET	
3/8"=1'			

4

3

2

1