

4

3

DWG NO 5210A012

SHEET

REV E

1

NEXT ASSEMBLY

REVISION HISTORY

REV	DESCRIPTION	ECN	DATE	BY	APPROVED
D	UPDATE COMMENTS & VISION	5105	6/23/2006	RJP	
E	CH CBOX SIZE, REMOVE 36" SPEED	5537	11/21/2007	RJP	
C	ADD POST & HEADER MOUNTING HOLES	4631	12/2/2004	AJW	

SPECIFICATIONS:

POWR-SHIELD SIZE: WIDTH: 2'-2" THRU 15'-6"
 HEIGHT: 2'-0" THRU 12'-0"
 CURTAIN MATERIAL: STD. 50oz. ARMOR PLEAT, BLACK
 OPTIONAL VISION 21"
 OPTIONAL THERMOSHIELD BIB

HEADER MATERIAL: 8" x 11.5lbs C-CHANNEL

ROLLER TUBE: 4" DIA. STEEL TUBE

MOTOR: 3 PHASE, 1HP MOTOR WITH BRAKE
 GEARBOX: 15:1 WORM
 UP/DOWN SPEED: 30"/SEC UP/DOWN
 LIMIT SWITCH: TWO POSITION SWITCH WITH NO/NC CONTACTS

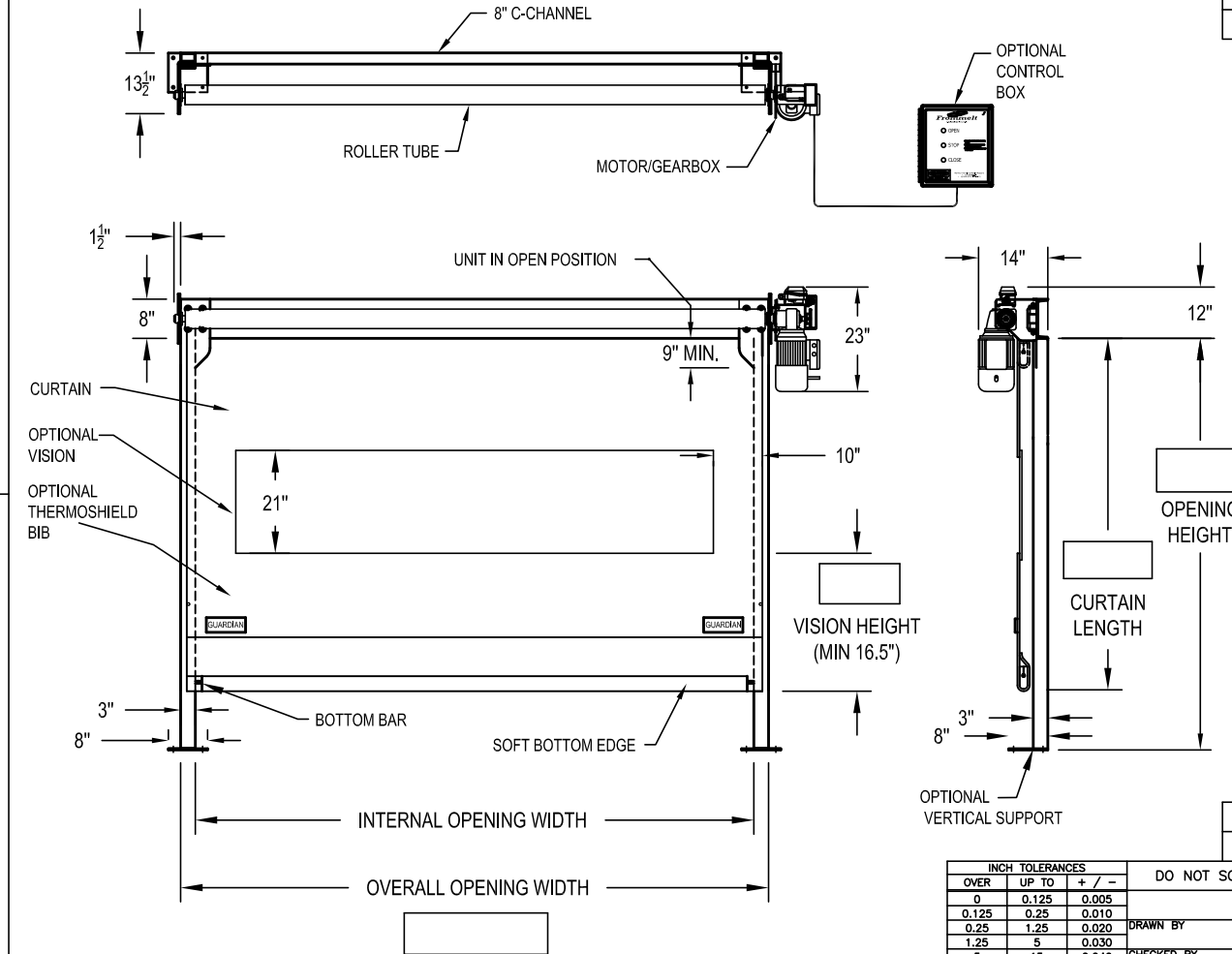
MOTOR & LIMIT SWITCH CABLE: 13' STANDARD

OPTIONAL CONTROLS:

RELAY CONTROL BOX: SIZE 16" x 14" x 8.5"
 INCLUDES OPEN, CLOSE AND STOP BUTTONS

B

B



A

A

ITEM	QTY	PART NO.	DESCRIPTION
PARTS LIST / MATERIAL			

INCH TOLERANCES			DO NOT SCALE DRAWING	
OVER	UP TO	+ / -	MM-DD-YY	DATE
0	0.125	0.005	DRAWN BY	1/22/2003
0.125	0.25	0.010	CHECKED BY	
0.25	1.25	0.020	APPROVED BY	
1.25	5	0.030	INITIAL ECN	3999
5	15	0.040	DATE ISSUED	3/3/2003
15	40	0.060	REF	
40	80	0.100		
80	-	0.125		

FROMMELT®
SAFETY PRODUCTS

TITLE: ARCHITECTURAL APPROVAL POWR-SHIELD
 PHONE # (800)553-5560 (563)587-4401
 FAX # (563)589-2776

SIZE B	MODEL NUMBER 1350	DWG NO 5210A012	REV E
SCALE 1/2"=1'	PART #	SHEET	

4

3

2

1