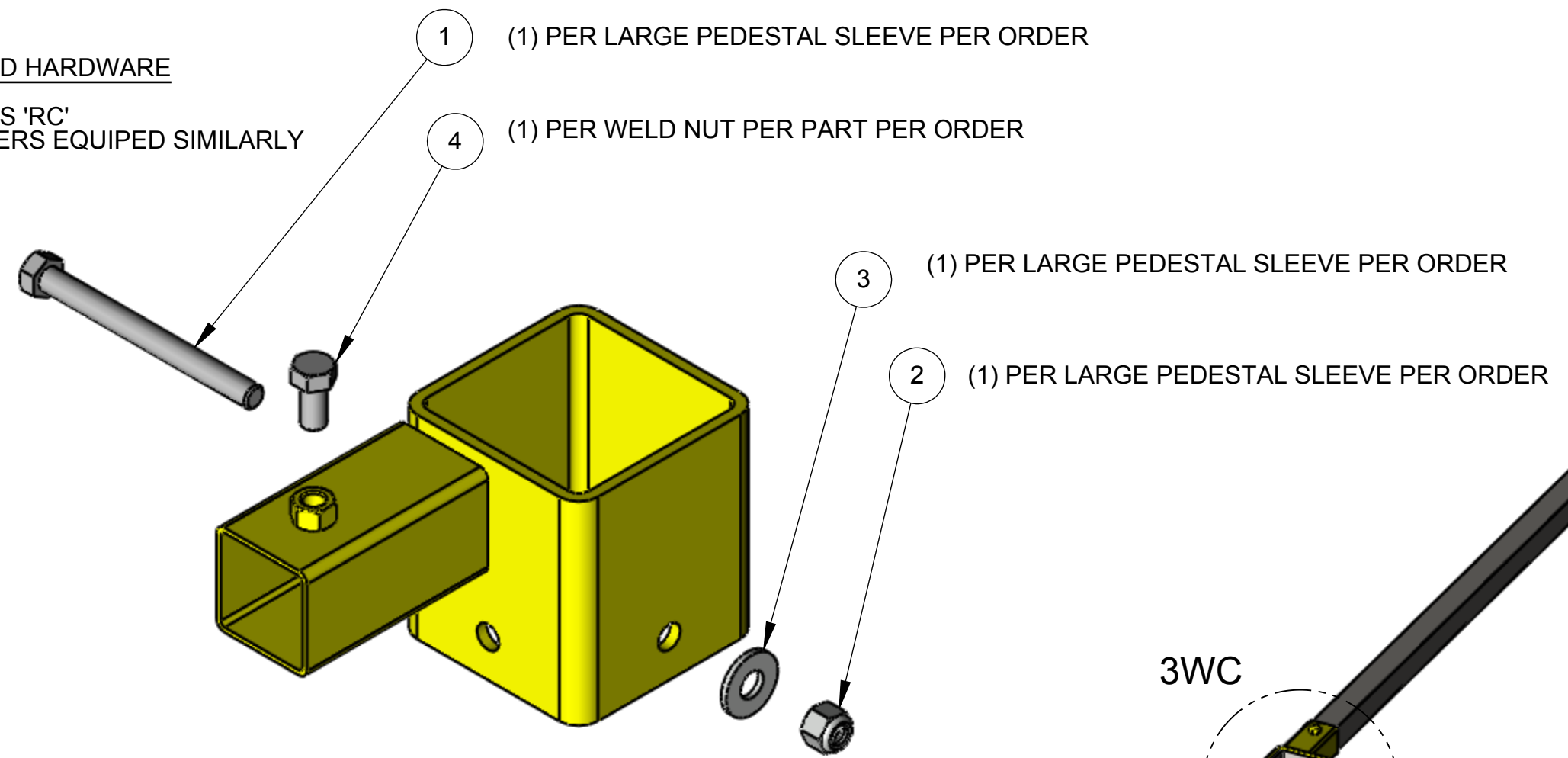
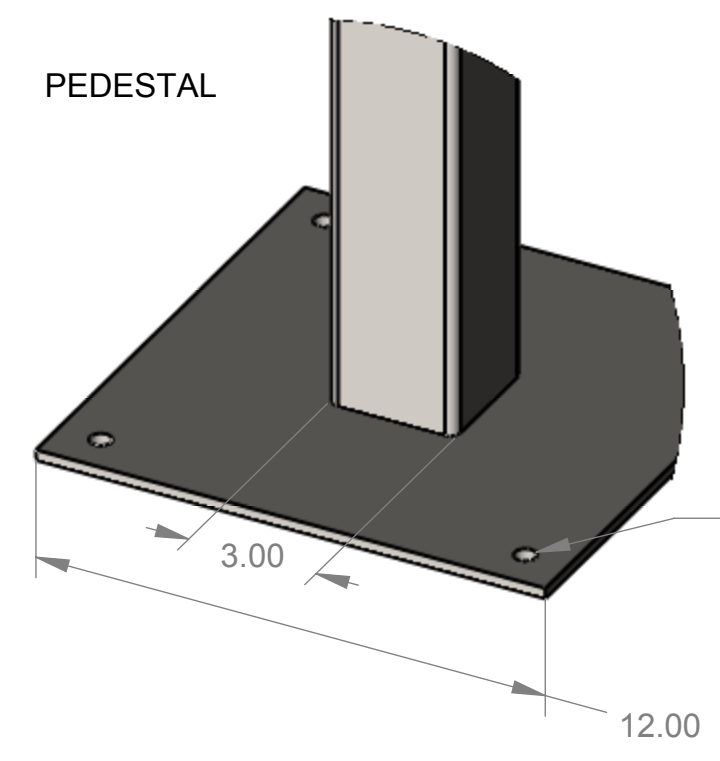


REVISION HISTORY				
REV.	DATE	DESCRIPTION	ECN	BY
-07	7/1/2009			
-08	7/8/2009			
A	7/22/2009			

INCLUDED HARDWARE
SHOWN IS 'RC'
ALL OTHERS EQUIPED SIMILARLY

BOM Table				
ITEM	AS FINAL/QTY.	DRAWING	PART NUMBER	DESCRIPTION
1	A/R	(9900M080)	67880029	SCR,HHMS,3/8-16X4,GR5,ZNC
2	A/R	(9902M007)	55630005	NUT,HEX,NYL LOCK,3/8-16,ZNC
3	A/R	(9902M006)	74130001	WSHR,FLAT,3/8X1X.063,ZNC
4	A/R	(9900M079)	67880008	SCR,HHMS,3/8-16X3/4,GR5,ZNC

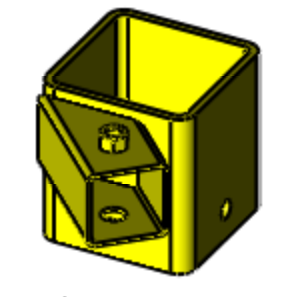
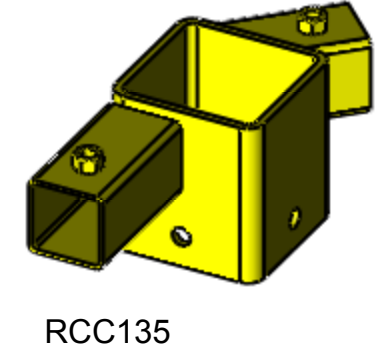
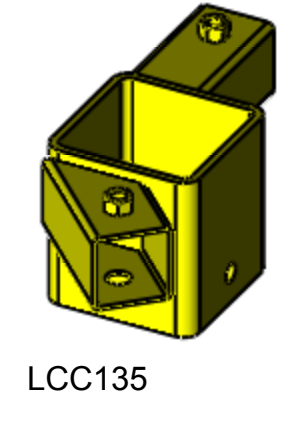
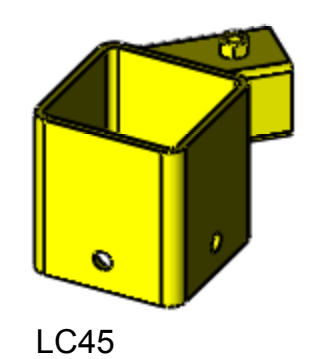
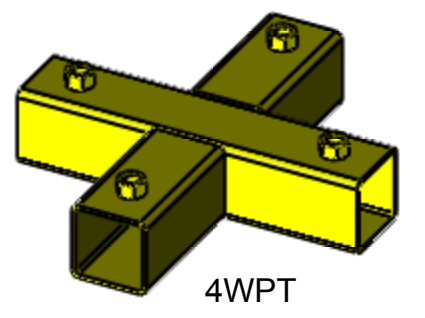
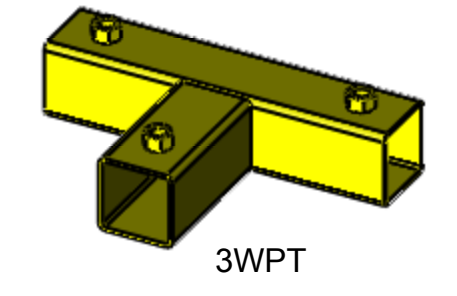
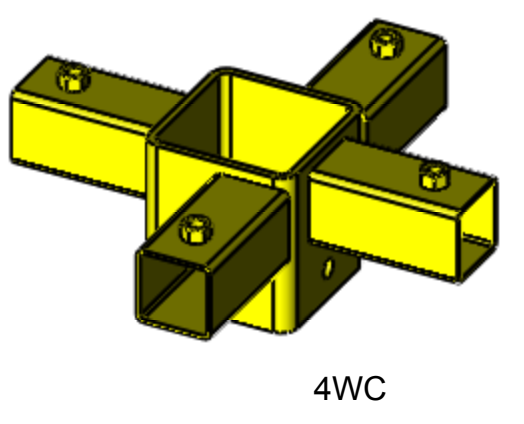
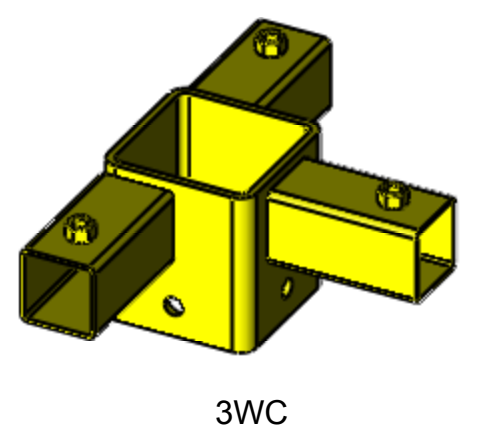
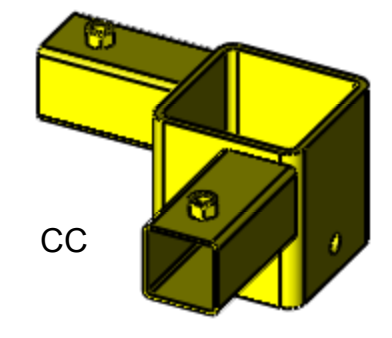
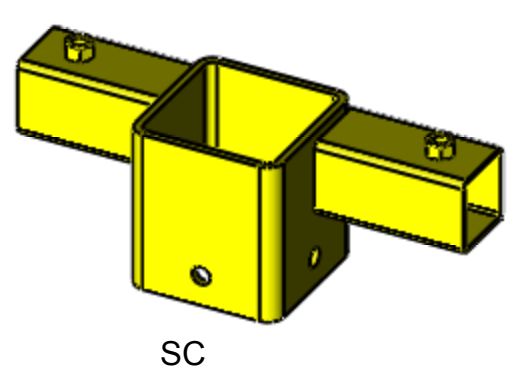
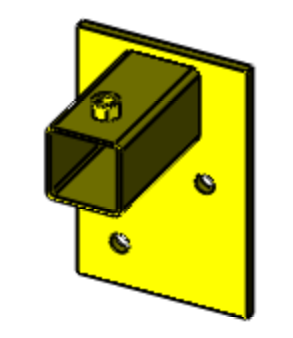
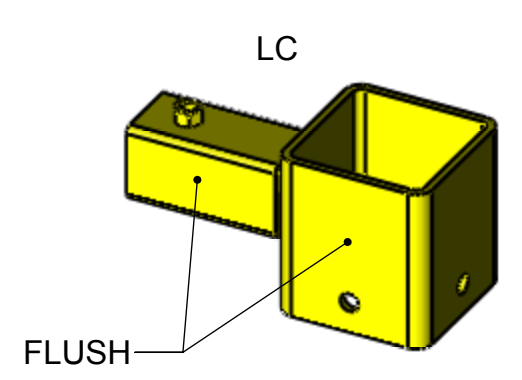
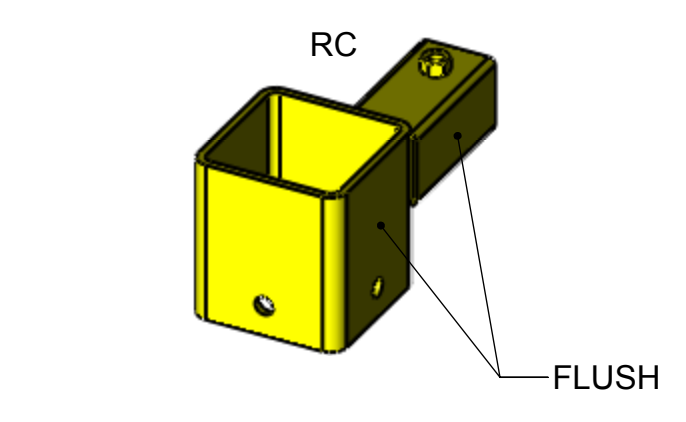
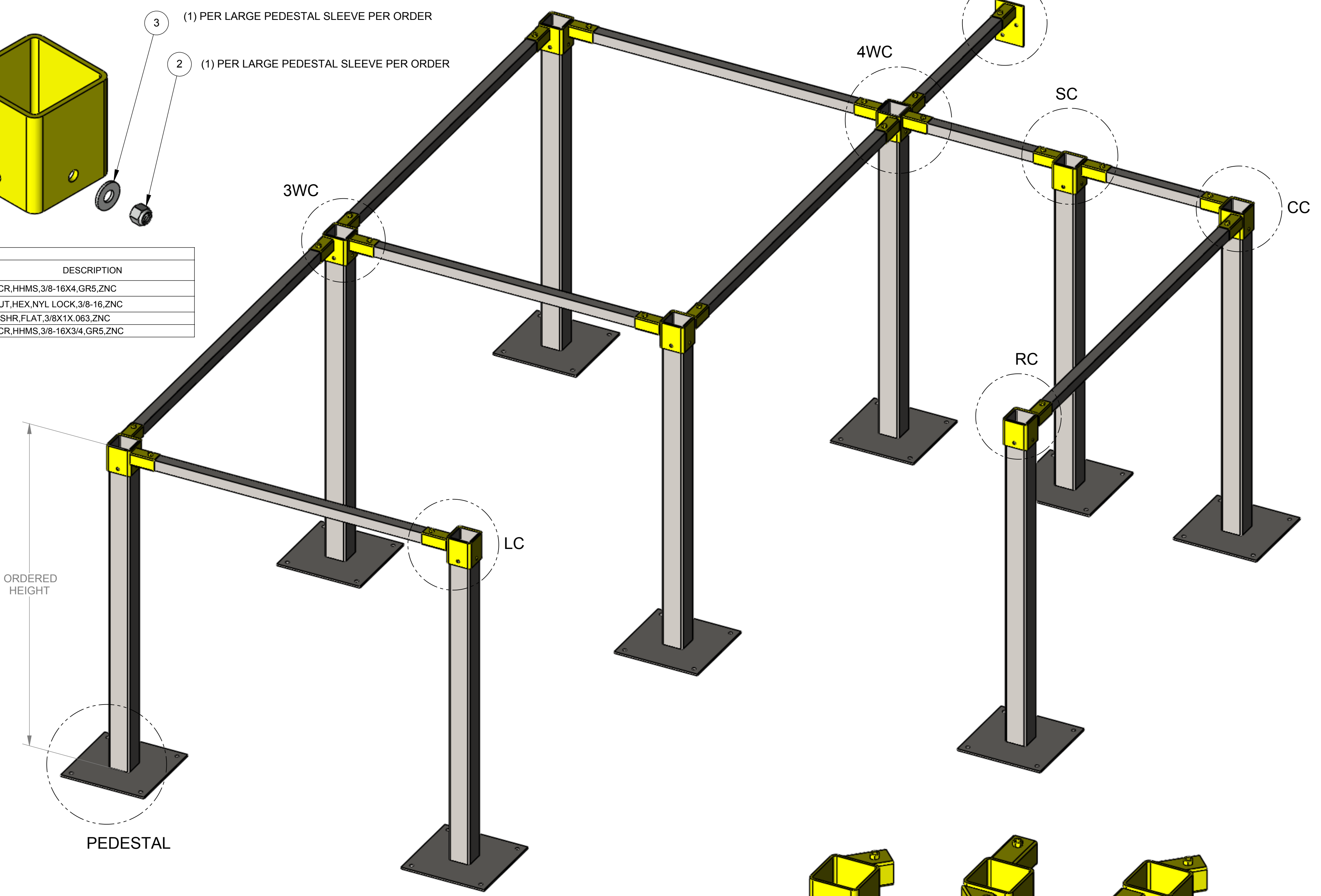


D

C

B

A



NOTE:
THESE (6) PARTS NOT SHOWN IN ASSEMBLY ABOVE.

FINISH CONFIDENTIAL		MATERIAL DRAWN BY: DAS DRAWN DATE: 07/01/2009		RITE-HITE® DOORS INC.	
TOLERANCES: X = ±.050 XX = ±.010 XXX = ±.005 ANGLE = ±1.0°		DATE ISSUED: 07/07/2009			
THIRD ANGLE PROJECTION		REFERENCE ALL SHEETS ARE THE SAME REVISION STATUS		TITLE: SAF-T-CELL ARCHITECTURAL APPROVAL	
© 2008 RITE-HITE® DOORS INC.		DO NOT SCALE DRAWING		SIZE: MODEL: D SAF-T-CELL	DWG NO: 2218A001
				SCALE: 1:16	REV: A