

NEXT ASSEMBLY

4

3

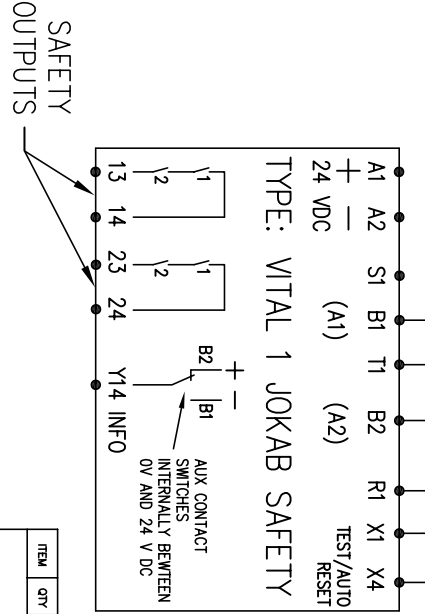
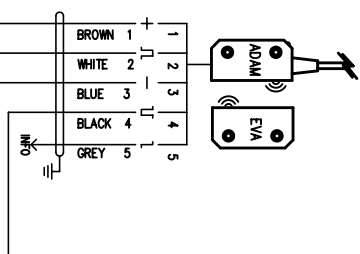
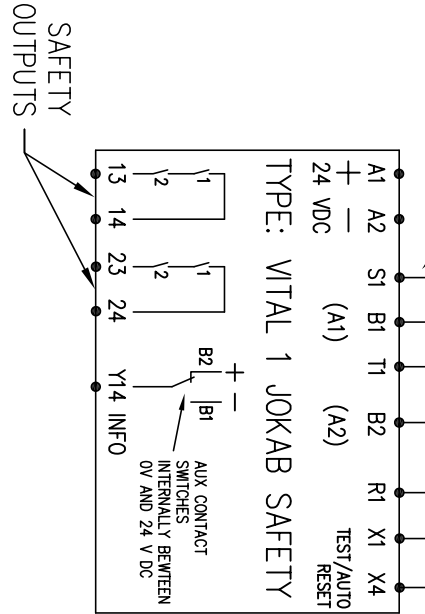
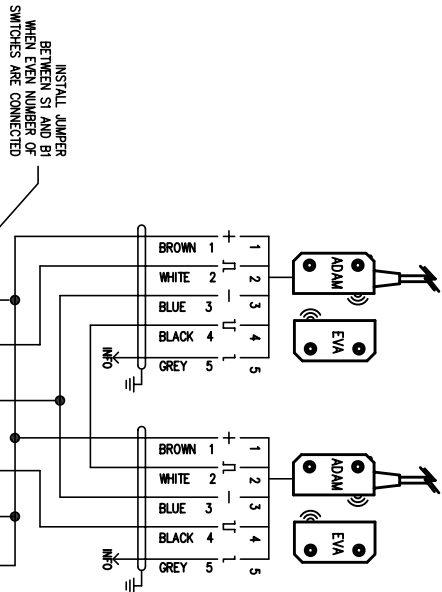
DWG NO
5210E023

SHEET

REV
A

1

REV	DESCRIPTION	ENR	DATE	BY	APPROVED
A	SHOW AUTOMATIC RESET	4914	11/15/2005	LIP	



ITEM	QTY	PART NO.	DESCRIPTION
PARTS LIST / MATERIAL			

INCH TOLERANCES		DO NOT SCALE DRAWING	
OVER	UP TO	+/-	
0	0.125	0.005	MM-DD-YY
0.125	0.25	0.010	DATE
0.25	1.25	0.010	DATE
1.25	0.25	0.020	DATE
0.25	1.25	0.040	DATE
1.25	15	0.060	DATE
15	40	0.100	DATE
40	80	0.125	DATE
80	-	0.125	DATE

DATE ISSUED: 8/4/2003
 DATE: 4/197
 INITIAL ENR: 4197
 SCALE: B
 SIZE: 6"=1'
 PART #: 5210E023
 REV: A

©2003 RITE-HITE DOORS INC.

4

3

2

1

RITE-HITE
DOORS INC.

CONNECTION EXAMPLES
 JOKAB SAFETY VITAL 1 CONTROLLER
 NON-CONTACT INTERLOCK SWITCH

TITLE
 CONNECTION EXAMPLES
 JOKAB SAFETY VITAL 1 CONTROLLER
 NON-CONTACT INTERLOCK SWITCH
 MODEL NUMBER
 5210E023
 DWG NO
 5210E023
 REV
 A