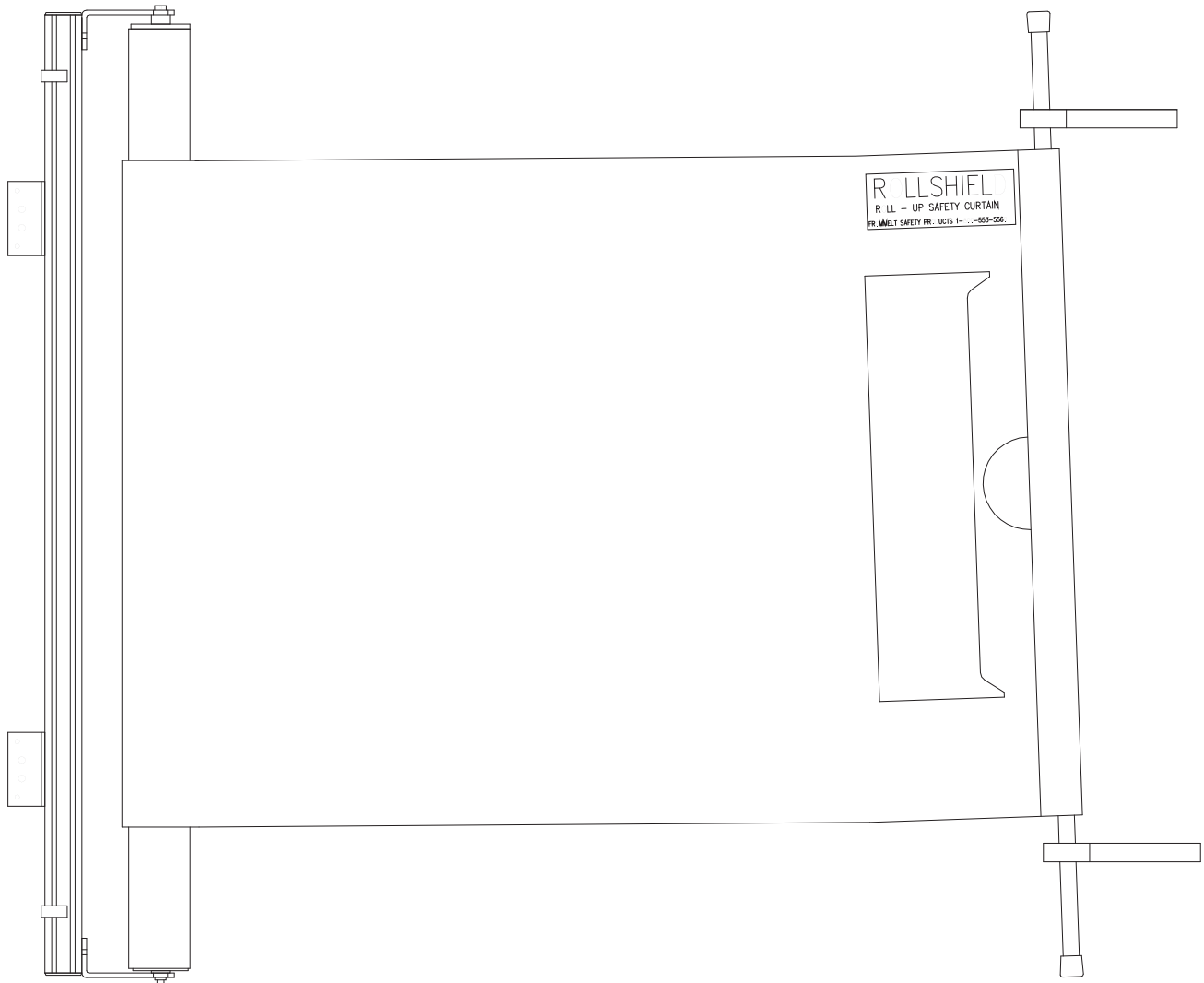


ROLL-SHIELD™

MANUAL SIDE-TO-SIDE CURTAIN



This Manual Covers All Units Shipped to Date.

INTRODUCTION

NOTICE TO USER

Thank you for purchasing the ROLL-SHIELD™ barrier curtain by FROMMELT® SAFETY PRODUCTS.

Our mission is to “Improve Industrial Safety, Security and Productivity Worldwide Through Quality and Innovation.”

If any procedures for the installation, operation or maintenance of the ROLL-SHIELD have been left out of this manual or are not understood, contact Technical Support at 1-563-589-2722.

This versatile curtain rolls quickly into place to prevent the transmission of sparks, heat and fumes, while improving safety and work flow in and around work cells. The spring tension side-to-side design makes it easy to pull into place for effective area protection - and even easier to close for full access. Roll-Shields are a unitized design. Curtains are attached with hook/loop to the spring roller, **Figures 3.1 & 3.2**. The ratchet and spring mechanism is preadjusted accordingly.

WARRANTY

Only Frommelt® Safety Products authorized parts are to be used on this product. Failure to do so may void warranty.

FROMMELT SAFETY PRODUCTS warrants that it's ROLL-SHIELD, will be free from defects in design, materials and workmanship for a period of one (1) year from the date of shipment. It does not cover damage incurred from abuse, misuse or impact. All claims for breach of this warranty must be made within thirty (30) days after the defect is or can, with reasonable care, be discovered. To be entitled to the benefits of this warranty, the products must have been properly installed, maintained, operated within their rated capacities, and not otherwise abused. Periodic lubrication and adjustment is the sole responsibility of the owner. This is FROMMELT SAFETY PRODUCTS exclusive warranty. FROMMELT SAFETY PRODUCTS EXPRESSLY DISCLAIMS ALL IMPLIED WARRANTIES INCLUDING THE IMPLIED WARRANTIES OF MERCHANTABILITY AND FITNESS. Non-standard FROMMELT SAFETY PRODUCTS warranties, if any, must be specified by FROMMELT SAFETY PRODUCTS in writing.

In the event of any defects covered by this warranty, FROMMELT SAFETY PRODUCTS will remedy such defects by repairing or replacing any defective equipment or parts. This shall be the exclusive remedy for all claims whether based on contract negligence or strict liability. Neither FROMMELT SAFETY PRODUCTS ANY OTHER MANUFACTURER WHOSE PRODUCTS ARE THE SUBJECT OF THIS TRANSACTION, NOR ANY FROMMELT SAFETY PRODUCTS REPRESENTATIVE, SHALL IN ANY EVENT BE LIABLE FOR ANY LOSS OR USE OF ANY EQUIPMENT OR INCIDENTAL OR CONSEQUENTIAL DAMAGES OF ANY KIND WHETHER FOR BREACH OF WARRANTY, NEGLIGENCE, OR STRICT LIABILITY. The application of a manufacturer's specifications to a particular job is the responsibility of the purchaser.

FROMMELT SAFETY PRODUCTS

4343 Chavenelle Drive
 P.O. Box 1200
 Dubuque, Iowa 52002-2654
 Toll Free Sales: 800-553-5560
 Sales: 563-589-4401
 Sales Fax: 563-589-2776
 Service: 563-589-2722
 Service Fax: 563-589-2737
 www.frommeltsafety.com

CURTAIN REPLACEMENT

1. To replace curtain and adjust spring tension, **Figure 3.2** shows industrial ratchet assembly.
2. Roll existing curtain out until hook/loop attachment can be seen. Make sure curtain is locked down before releasing pressure.
3. Pull curtain away from hook attachment on spring roller.
4. Attach new curtain to spring roller using hook/loop fastener attachment. Give curtain a light tug and roll up curtain. If spring tension was lost, remove curtain.
5. Observing **Figure 3.2**, wind metal roller in the direction that allows the latches to catch. Recommended pretension is 10-14 revolutions depending on curtain height and weight.
6. Attach curtain to metal roller and attempt to roll up with a light tug. If curtain opens part way and stops, more spring tension is required. Remove curtain and wind spring roller additional turns. If curtain opens too quickly, too much pretension has been applied. Carefully remove a couple revolutions of pretension. Repeat procedure until desired open speed is reached.

TROUBLESHOOTING

1. Curtain pulls too hard, too much tension on roller, remove tension per Curtain Replacement.
2. Binding of curtain, adjust curtain position to eliminate binding.
3. Curtain pulls too fast, too much tension on roller, remove tension per Curtain Replacement.
4. Curtain pulls too easy, not enough tension on roller, add tension per Curtain Replacement.
5. Curtain does not open without catching, not enough tension on roller, add tension per Curtain Replacement.
6. Curtain does not have latching position, spring drive installed upside down, rotate spring drive 180°.
7. Curtain over rolls, bottom tubing out of position, center tubing on curtain.

 **WARNING!!!**

If the curtain becomes separated from the spring roller, refer to the Section CURTAIN REPLACEMENT.

 **CAUTION !!!**

If mounting to a wall, DO NOT lag, through bolt only. Use minimum 3/8"Ø threaded rod or grade 5 bolts.

 **CAUTION !!!**

DO NOT secure support post to concrete less than 4" in depth. DO NOT use lags under 3/8"Ø.

ASSEMBLY / SERVICE PARTS

FLOOR MOUNTED

1. Mark and drill concrete floor per hole pattern of support post bottom plate, using minimum 3/8" anchors.
2. Stand support post upright and secure to floor.
3. Lift Roll-Shield assembly, plumb and clamp to the support post. Drill and fasten unit to post.
4. Pull curtain closed, and locate the curtain rod brackets.

WALL/BEAM/MACHINE MOUNT

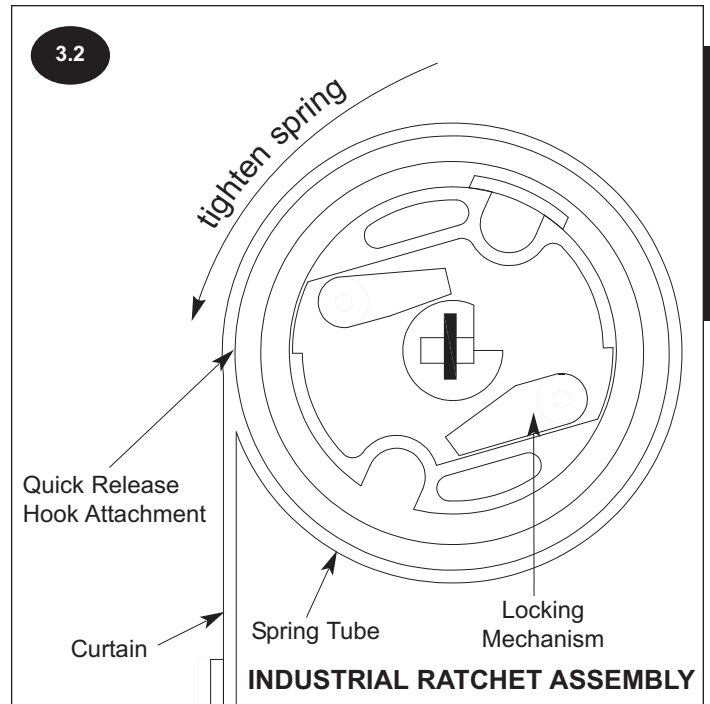
1. Lift, plumb and clamp Roll-Shield unit in place.
2. Mark for bolt centers and drill 7/16" Ø holes.
3. Lift unit and fasten as required.
4. Pull curtain closed, and locate the holding brackets.

Note: Mounting Brackets can be reversed if necessary.

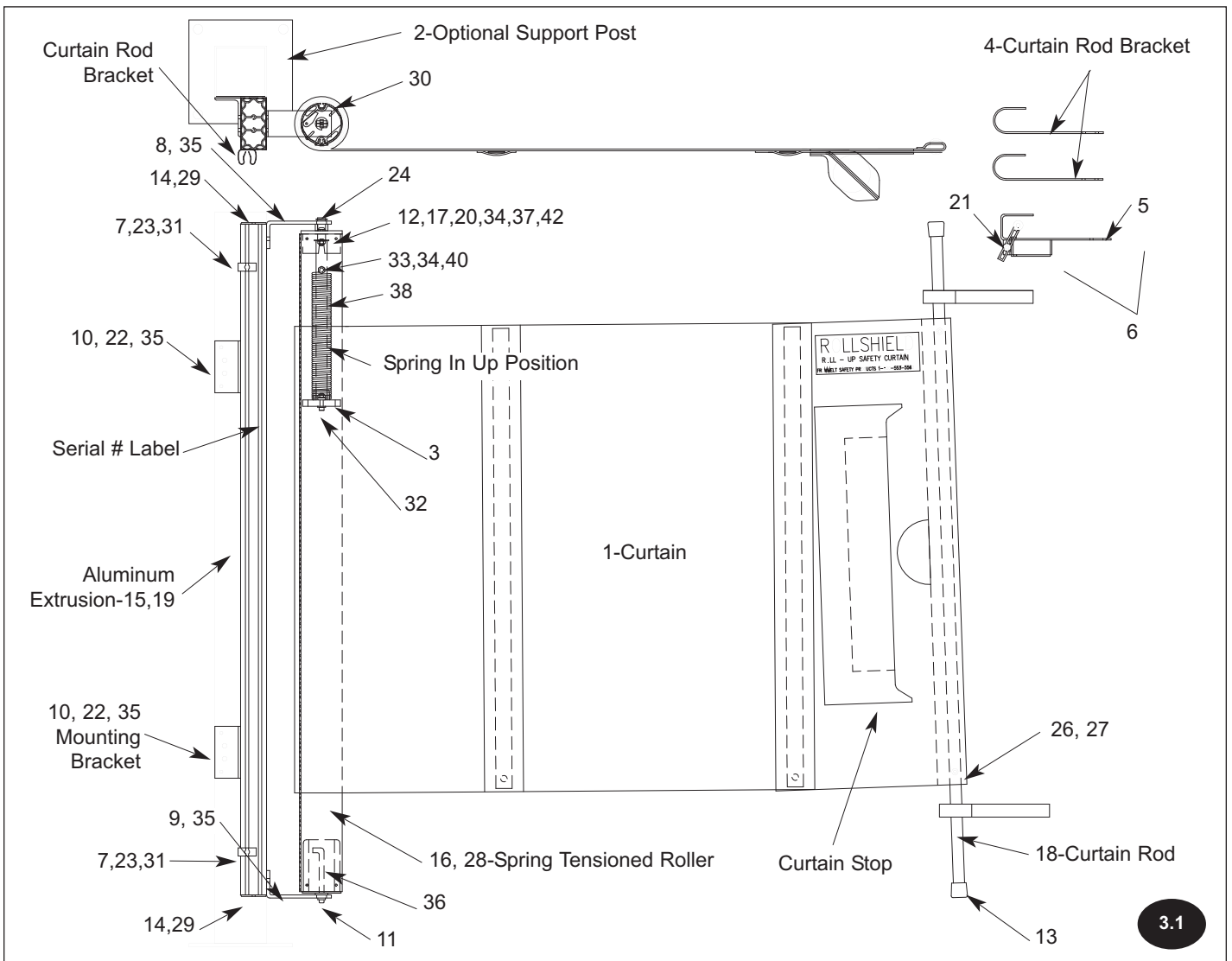


CAUTION !!!

Curtain is under constant spring tension. Hold secure when opening and closing.



Installation



PARTSLIST / ARCHITECTURAL DRAWING

ITEM	QTY	DESCRIPTION	P/N	ITEM	QTY	DESCRIPTION	P/N
1	1	Curtain Ass'y (d.o.h., d.o.w., Fabric)	2842....	22	8/12	Nut, Lock, 1/4"	55610001
2	1	Support Post	7251....	23	2	Nut, T-8020, 1/4-20, Economy	55610015
3	1	Adapter, Drive, Manual	10300006	24	1	Cotter Pin, 1/8" x 3/4", znc	64030002
4	2	Bracket, Vertical, RS, Locking	14500379	25	a/r	Shaft, Spring Tube, (specify length)	64400018
5	1	Bracket, Hook Limit Switch	14500757	26	2	Rivet, 2PC, LF, 1/4 x 1 3/8" Grp	66860005
6	1	Bracket, Assembly, Hook w/L/S	14500758	27	2	Rivet, 2PC, 3/4, SSLM-8SP-12, BLK	66860006
7	2	Bracket, Clip Holder	14500809	28	1	Kit, Roller Ass'y, Vertical, RS, 60" W	67202000
8	1	Bracket, Drive, Slotted, Heavy Duty	14500982	29	4	Screw, HWH, Self Dr/Tap, #12-14 x 3/4"	67850004
9	1	Bracket, Non-Drive, Heavy Duty	14500983	30	4	Screw, PHSMS, Phillips, Tap, #8-18 x 3/4"	67850026
10	2	Bracket, Support (RS)	14501070	31	2	Screw, HHMS, 1/4-20 x 1/2", znc	67860002
11	1	Bushing, UHMW	15552001	32	1	Screw, SHCS, 1/4-20 x 1 1/2", GR*, blk	67860005
12	1	Bushing, 3/4" ID x 7/8" OD x 1/2"	15550029	33	1	Screw, SHCS, 1/4-20 x 1 1/2", Nylon, patch	67860012
13	2	Cap, Rubber, 7/8", Blk	16200013	34	1	Screw, BHMS, Socket, 1/4-20 x 1 1/4", GR8	67860065
14	2	End Cap, Black ABS	43850061	35	8	Screw, Right Angle, 1/4-20 x 3/4"	67860075
15	a/r	Aluminum Extrusion, T-Slot	44850126	36	1	Shaft, Stub, 3"	68950069
16	1	Roller Extrusion, (57 3/4")	44850187	37	1	Spring, Drive, Manual	70710001
17	1	Hub, Drive	52940009	38	1	Spring, .125Ø x 44" Long	71710005
18	1	Curtain Rod, 60"	53750035	39	a/r	Hook Fastener, PSA, 1"	74000024
19	1	Label, Roll-Shield	53850179	40	3	Washer, Flat, 1/4 x 3/4 x 1/16, znc	74110001
20	1	Latch, Rolling, RS	54150005	41	2	Washer, Lock, Split, 1/4, znc	74110004
21	1	L/S, 10A, Adj Arm, Plastic Wheel, Micro	54300015	42	1	Washer, Flat, 5/8 x 1 3/16 x 1/16, znc	74160007

MAX. WIDTH 25"

HEIGHT 36" R 4"

Labels: CENTRIFUGAL LATCH, CURTAIN TUBE CLIP, CURTAIN ROLL ST.P., 2" x 4" ALUMINUM T-SLOT EXTRUSION, SPRING ROLLER, 3" HYPALON PACKET, HYPALON CURTAIN EDGE, FIBERGLASS STAY, LABEL, CURTAIN TUBE, CURTAIN HANDLE CUT OUT, CURTAIN, MOUNTING BRACKETS, SEE VIEW 'A'.

REV	DESCRIPTION	ECN	DATE	BY	APPR. / VED
A	CORRECT BRACKETS & STAY PACKETS	5397	7/16/2007	DAS	
B	SPECIFY ST. RE/LEFT EXTEND RIGHT	5641	4/11/2	DAS	

VIEW 'A' SCALE IS 3:1

CURTAIN MATERIALS:
 YELL W PVC
 BLUE PVC
 RANGE PVC
 GRAY PVC
 CLEAR PVC
 SHL E PVC
 GREEN WEL TEX
 YELL W WEL TEX
 BLUE WEL TEX
 ZEBRA

PH NE # () 553-556
 (563) 5 7-44 1
 FAX # (563) 5 9-2776

INCH TOLERANCES	DIN T SCALE DRAWING
VER UP T ± / -	MM-DD-YY
125 125 5	MM-DD-YY
25 25 1	DATE
25 125 2	6/2/2007
5 15 4	CHECKED BY
15 4 6	DATE
4 1 1	APPROVED BY
- 125	DATE
ANGLES ±/- T DEG	INITIAL ECN
FINISH	DATE ISSUED
	REF

ITEM	QTY	PART N	DESCRIPTION
PARTS LIST / MATERIAL			
FROMMELT SAFETY PRODUCTS			
ARCHITECTURAL APPR VAL R LL-SHIELD ST RE LEFT/EXTEND RIGHT, SIDE T SIDE VERTICAL M UNT			
SIZE	M DEL NUMBER	DWG N	REV
B	349	525 A 1	B
SCALE	1"=1'	PART #	SHEET