

NEXT ASSEMBLY

4

3

DWG NO. 5270E002

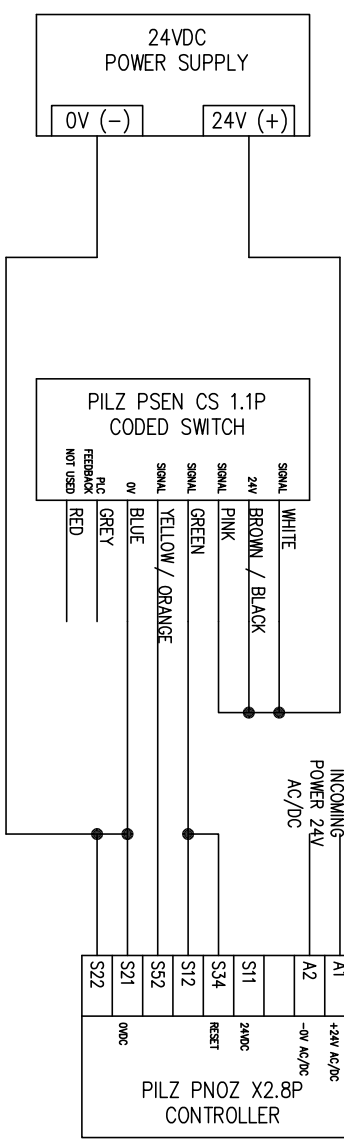
SHEET

REV A

1

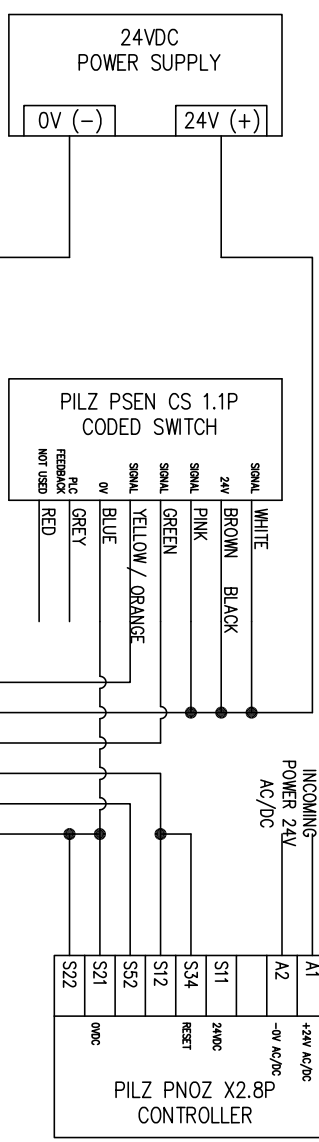
REVISION HISTORY

REV	DESCRIPTION	EN	DATE	BY	APPROVED
A	ADD POWER SUPPLY FOR PILZ OPTION	6168	9/1/2010	LIP	



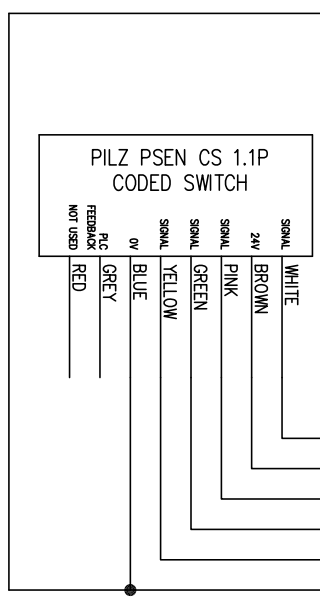
B

B



A

A



4

3

2

1

©2005 RITE-HITE DOORS INC.

ITEM	QTY	PART NO.	DESCRIPTION
			PARTS LIST / MATERIAL

RITE-HITE
DOORS INC.

WIRING, PILZ, NON CONTACT INTERLOCK

INCH TOLERANCES		DO NOT SCALE DRAWING	
OVER	UP TO	+ / -	
0	0.125	0.005	
0.125	0.25	0.010	
0.25	1.25	0.020	
1.25	5	0.030	
5	15	0.040	
15	40	0.060	
40	80	0.100	
80	-	0.125	
ANGLES		INITIAL EGN	
+/- 1 DEG		4901	
FINISH		DATE ISSUED	
REF		11/1/2005	

SIZE	MODEL NUMBER	DWG NO	REV
B	1325	5270E002	A

SCALE 1"=1"

SHEET